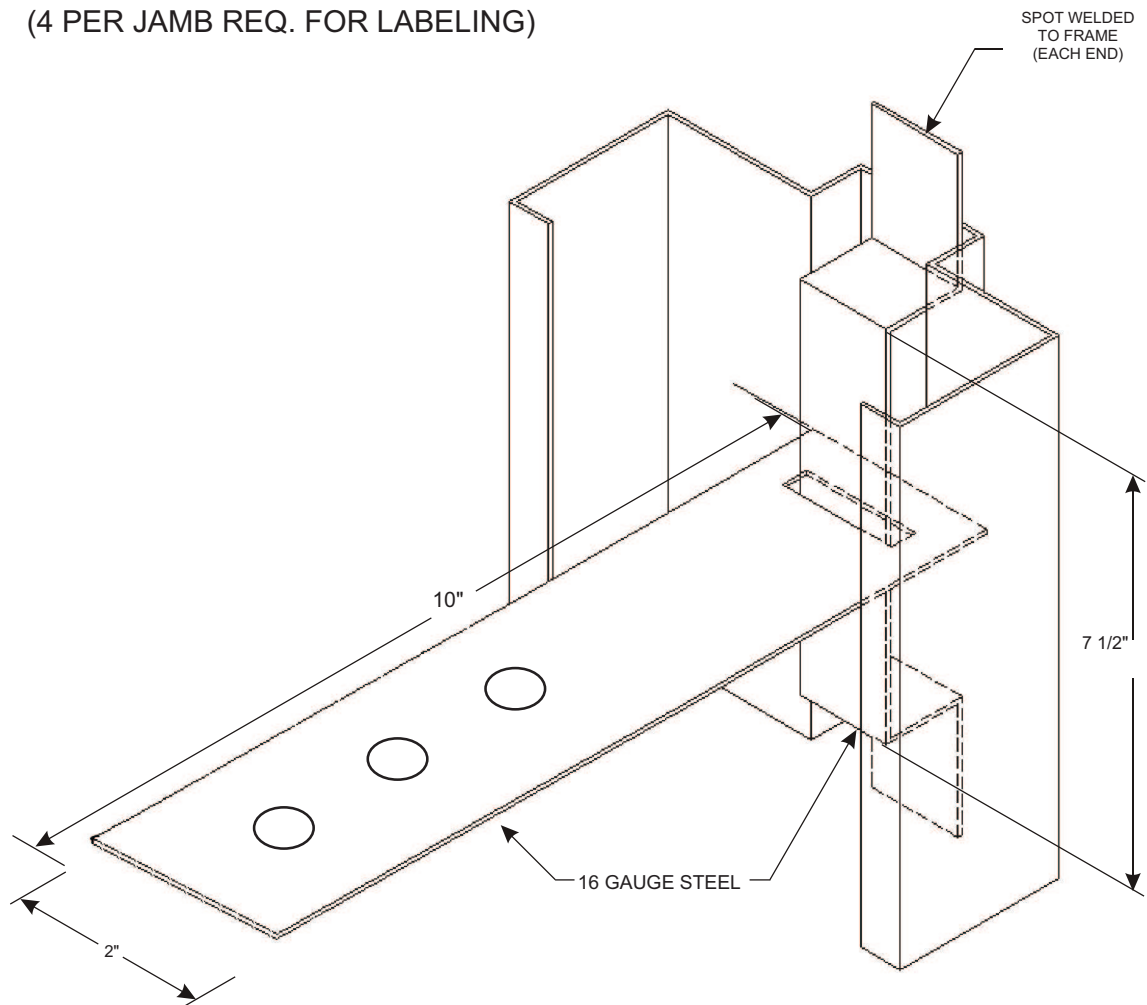


# TECHNICAL DATA SHEET

F - 900 - 02  
UL MASONRY FRAME  
ANCHOR

NOTE:  
PROFILE VARIES  
(4 PER JAMB REQ. FOR LABELING)



Issue Date: January 2006

REVISED : 02/01/2009

